

PV-ezRack Solar Tripod

The Universal Roof Mounting System

Cleenergy PV-ezRack Solar Tripod is suitable for home, commercial flat roof and even large power station installations. Solar Tripod divides 2 solutions, single row and double rows in portrait of modules. The advantage of Solar Tripod is the pre-assembly brackets, it reduces the time and labour in installation.



Specifications

Installation Site:	Flat roof or ground
System Tilt Angle:	10 - 40°
Max. Building Height:	Up to 20m (66feet)
Wind Load:	32 m/s (72mph)
Snow Load:	0.42kN/m ² (0.06PSI)
Applicable Module:	Framed
Module Orientation:	Portrait
Rail Material:	AL6005-T5
Standards:	AS/NZS 1170
Warranty:	10 years*

Key Benefits

Easy Installation

Highly engineered brackets and modules eliminate the need for onsite cutting or welding, it only takes one day for three workers to install a 5kW project.

Good Flexibility

Solar Tripod divides 2 solutions, single row and double rows in portrait of modules.

Good Compatibility

Designed as a universal mounting system, PV-ezRack Solar Tripod is compatible with most of the major framed PV modules on the market.

High Quality

Strict quality control over materials and finished products ensure optimum strength and long life for you installation.

10-Year Warranty

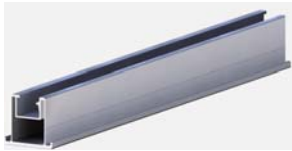
Cleenergy provides a 10 year product warranty for your peace of mind.

Key Components



Single Tripod

The Single Tripod is pre-assembly and save time at the construction site installation.



T Rail 50

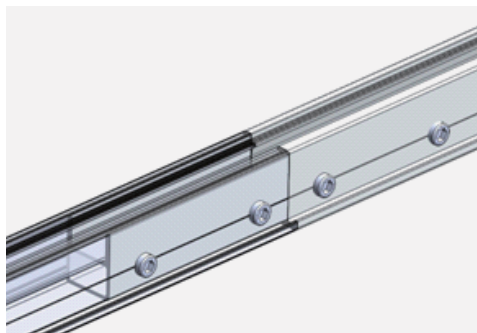
The T Rail 50 has been designed reliable and using Clenergy Z-module, it will save your time and labour on site.



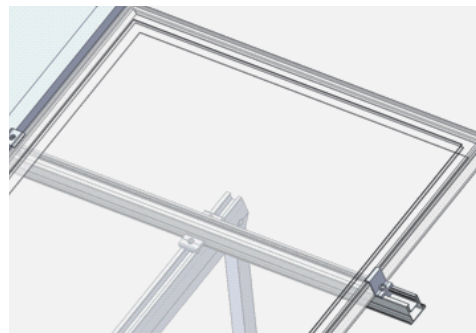
Splice for T Rail 50

The splice makes the rail extension easier. The two rails can be easily put together without cutting any rails on site.

Assembly Illustration



The Splice for T Rail 50 makes it easy to connect two rails.



The rails are fixed by T Rail Clamp, which contains Clenergy patented Z-module.

Distributor Contact: